

ANTIFIRE 22
FIRE RATING:
30 MINUTE INTEGRITY/30 MINUTE INSULATION

DESCRIPTION

AntiFire uniquely utilises 2-pane technology for all fire-rating classes. In the event of a fire the fire-exposed glass pane cracks and collapses allowing the gel interlayer within the AntiFire makeup to intumesce to form an opaque fire, heat resistant, and insulating barrier.

TECHNICAL DATA

SPECIFICATION & IDENTIFICATION	AntiFire 22 EI 30 - 22	AntiFire 22EG EI 30 - 27	AntiFire 22/27EG EI 30 - 22/27
Glazing Type	Single	Single	Double Glazed
Grade	Internal	External	External
Nominal Thickness	22mm	27mm	32mm - 44mm
Weight	39kg/m ²	49kg/m ² *	50kg/m ² - 56kg/m ² *
Dimension Tolerance	± 2mm	± 2mm	± 2mm
Safety Rating (BS 6206) (EN12150)	Class A 1C2	Class A 1C2	Class A 1C2
Light Transmission	≥85%	≥85%	≥85%
Sound Reduction Rw Index (EN 12758)	40dB	41dB*	42dB*

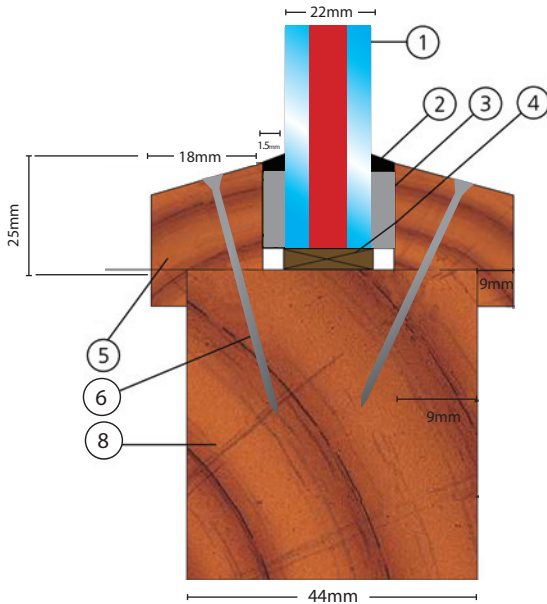
* Estimated

APPLICATIONS AND CERTIFICATION ACCORDING TO EN1364-1 & EN1634-1

APPLICATIONS	MAXIMUM DIMENSIONS (*) (Width x Height)	TEST METHOD	CERTIFICATION
Timber Doorsets	710 x 1830mm	EN1634-1	Pavus No. Pr-12-2.077-En
Timber Screens	1500 x 2500mm	EN 1364-1	Pavus No. Pr-11-2.014
Steel Doorsets	966 x 2195mm	EN 1634-1	FR 045/05 CPS (E)
Steel Screens	1500 x 2500mm	EN 1364-1	FIRES FR 043/05 CPS (E)

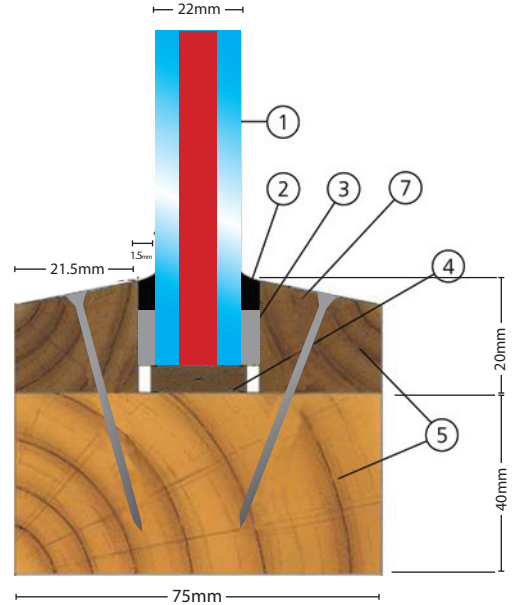
(*) Please note max tested dimensions maybe increased under extended application or for alternative dimension sizes within tested pane area please consult LG Glass & Glazing Ltd

Timber Doorset



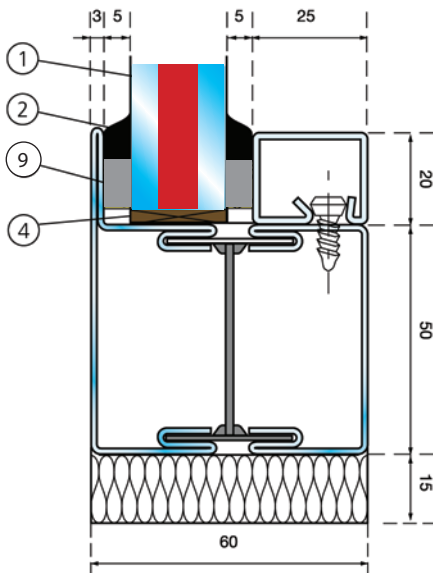
Report Pavus No. Pr-12-2.077-En

Timber Screen



Report Pavus No. Pr-11-2.014

Steel Screen



Report Fires FR 043/05 CPS (E)
Jansen Janisol 3

- 1) AntiFire
- 2) Silicone Sealant
- 3) Intumex Intumescent Tape
- 4) Setting Block
- 5) Hardwood
- 6) Steel Pins 60mm
- 7) Steel Screws 45mm x 4mm
- 8) Hardwood
- 9) Fiberfrax FT Intumescent Tape